



Part No	Quick Ref	Product Description	New Products
---------	-----------	---------------------	--------------

MOTICE LATCHES

14/1	0259580	Strike for mortice latch, fail locked, 8-16V AC/DC	←
14EE/1	0259590	Strike for mortice nightlatch locks, fail locked, 12V DC	
14RR/1	0259600	Strike for mortice latch locks, monitored, fail locked, 12V DC	
34/1	0173280	Mortice latch release 12V DC, fail unlocked	←
34RR	0310790	Mortice latch release 12V DC, fail unlocked, monitored	←

ANSI RELEASES

75/long	0259500	Ansi release for mortice latch with adjustable keep, fail locked, 12V DC	
70/long	0259520	Ansi release for mortice latch with adjustable keep, fail locked, 12V DC	
71/long	0259510	As 70/long but fail unlocked	

HIGH SECURITY STRIKES

131 RR - 5	0259570	High security, heavy duty electric strike for latch locks monitored, fail locked, 12V DC - RH	
131 RR - 4	0259560	High security, heavy duty electric strike for latch locks monitored, fail locked, 12V DC - LH	
331 - 5	0135530	High security electric strike for escape applications, heavy duty mortice release, handed, fail unlocked, 12V DC - RH unmonitored	
331 - 4	0314160	High security electric strike for escape applications, heavy duty mortice release, handed, fail unlocked, 12V DC - LH unmonitored	

STRIKE FOR SLIDING AND GLASS DOORS

112	0259950	Electric strike for 1112, for sliding doors, fail locked, 12V DC	
1112	0259540	Hookbolt for 112	
9334 VGL	0259480	Electric strike for glass doors, fail unlocked, 12V DC	

STRIKE FOR PLASTIC DOORS

17/6 - 5	0259640	Strike for plastic door. No seal breakage. Fail locked, 12V DC - RH	
17/6 - 4	0259620	Strike for plastic door. No seal breakage. Fail locked, 12V DC - LH	
37/6 - 5	0259530	Strike for plastic door. No seal breakage. Fail unlocked, 12V DC - RH	
37/6 - 4	0259650	Strike for plastic door. No seal breakage. Fail unlocked, 12V DC - LH	

MULTI-FUNCTION STRIKE

76/54	0259490	Multi-function PENTA strike which as standard operates on 12V AC, 12V DC, 24V DC and is also adjustable for fail locked and unlocked	
-------	---------	--	--

Notes



G10001/2

- Up to 500lbs holding force
- 12/24V DC
- Current draw: 500mA @ 12V DC 250mA @ 24V DC
- Inswinging and outswinging doors
- Magnet: 250x42x26mm
- Optional brackets available



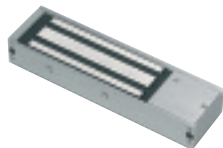
G10005

- Up to 500lbs holding force
- 12/24V DC
- Current draw: 500mA @ 12V DC 250mA @ 24V DC
- Inswinging and outswinging doors
- Magnet: 500x42x26mm
- Optional brackets available



G10007

- Up to 800lbs holding force
- 12/24V DC
- Current draw: 500mA @ 12V DC 250mA @ 24V DC
- Inswinging and outswinging doors
- Magnet: 265x52x29mm
- Optional brackets available

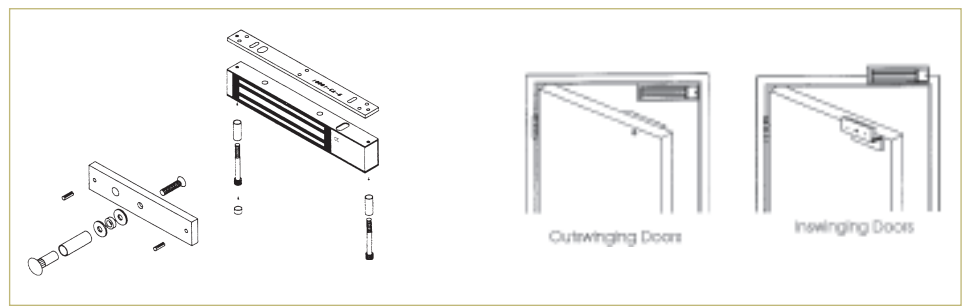


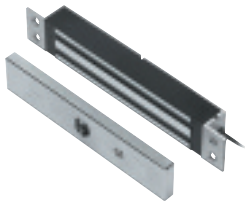
G10010/20/30

- Up to 1200lbs holding force
- 12/24V DC
- Current draw: 500mA @ 12V DC 250mA @ 24V DC
- Inswinging and outswinging doors
- Magnet: 266x68x40mm
- Optional brackets available

Part No	Quick Ref	Product Description	New Products
SURFACE MINI MAGLOCKS - APPROX 500LBS (272KG) HOLDING FORCE			
G10001	0058190	Mini maglock, unmonitored	
G10001DS	0058620	Mini maglock, unmonitored, with door position switch	
G10002	0058120	Mini maglock, monitored	
G10002DS	0058610	Mini maglock, monitored, with door position switch	
G10004	0058130	Double mini magnet, unmonitored	
G10005	0058140	Monitored double mini magnet	
EM300L	0058850	L bracket for mini magnet	
EM300AZL-G	0154740	Z & L for mini magnet with integral cover	
EM300BZL	0082490	Budget Z & L kit for mini magnets	
EM300CL	0152020	L bracket for mini magnet with integral cover	
GE300M	0058300	Z & L kit for inward opening doors	
MIDI MAGLOCKS - APPROX 800LBS (362KG) HOLDING FORCE RAIL MOUNT FITTING			
G10007	0058410	Midi magnet monitored	
G10008	0058510	Double midi magnet monitored	
EM850L	0082620	L bracket for midi magnet	
GE300D	0058550	Z & L bracket kit for midi magnet	
GE320D	0082630	Surface armature housing for midi magnet	
STANDARD MAGLOCKS - APPROX 1200LBS (544KG) HOLDING FORCE			
G10010	0058460	Standard magnet unmonitored	
G10010DS	0058810	Standard magnet unmonitored, with door position switch	
G10020	0058310	Standard magnet monitored	
G10030	0082540	Standard magnet double monitored	
G10060	0058180	Double standard magnet unmonitored	
G10060DS	0082550	Double standard magnet unmonitored, with door position switch	
G10040	0058420	Double standard magnet monitored	
G10050	0058170	Double standard magnet, double monitored	
EM500L	0069290	"L" bracket for standard magnet	
GE300S	0058520	Standard "Z & L" for standard magnet	
GE320S	0058290	Surface armature housing for standard magnet	
EM-AH10G-1	0244260	Single full width architectural housing for standard magnet	
EM-AH10G-2	0244270	Double full width architectural housing for standard magnet 1 cut-out	
EM-AH10G-2-2	0244280	Double full width architectural housing for standard magnet 2 cut-outs	

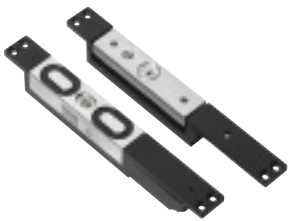
Notes



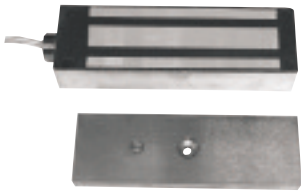


G10000 MORTICE MAGLOCK

- Up to 500lbs holding force
- 12/24V DC
- Current draw: 500mA @ 12V DC
250mA @ 24V DC
- Inswinging and outswinging doors
- Magnet: 230x27x38mm
- Optional architectural housing and brackets available



GS705-30 SHEARLOCK



EXM12/24 EXTERNAL MAGLOCK



ELECTRIC RELEASES

Part No	Quick Ref	Product Description	New Products
---------	-----------	---------------------	--------------

MORTICE MINI MAGLOCKS - APPROX 500LBS (272KG) HOLDING FORCE

G10000	0058110	Mortice or sliding door magnet unmonitored
G10000R	0058330	Mortice or sliding door magnet monitored
ARCH1	0058430	1 metre architectural transom housing for mortice magnet
ARCH2/2	0058350	2 metre architectural transom housing for mortice magnet
1MTL	0067820	1 metre "L" bracket for transom housing
2MTL	0067810	2 metre "L" bracket for transom housing
GE320M	0058270	Surface armature housing for mortice magnet

SHEARLOCK - APPROX 3000LBS (1350KG) HOLDING FORCE

GS705-30	0058260	Flush mount shearlock, monitored
ARCH705	0058490	Surface housing for GS705-30 shearlock

SHEARLOCK - APPROX 1800LBS (800KG) HOLDING FORCE

GS200	0186650	Micro shearlock, 12/24V DC, unmonitored
GS200M	0185030	Micro shearlock, 12/24V DC, monitored
GS200H	0185020	Surface housing for GS200 series
GS200GH	0185010	Glass door fixing kit for GS200H

EXTERNAL MAGLOCKS - APPROX 1200LBS (550KG) HOLDING FORCE

EXM12/24	0130020	External magnet, universal fixing, dual voltage, monitored
GL1200ZL	0103280	Z & L bracket kit for EXM12/24

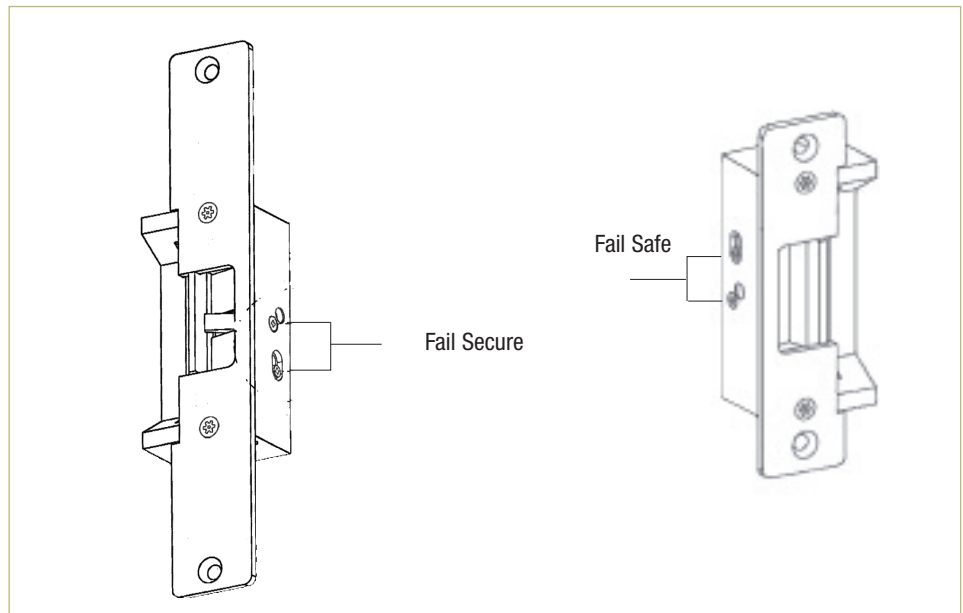
FAIL UNLOCKED SOLENOID BOLT

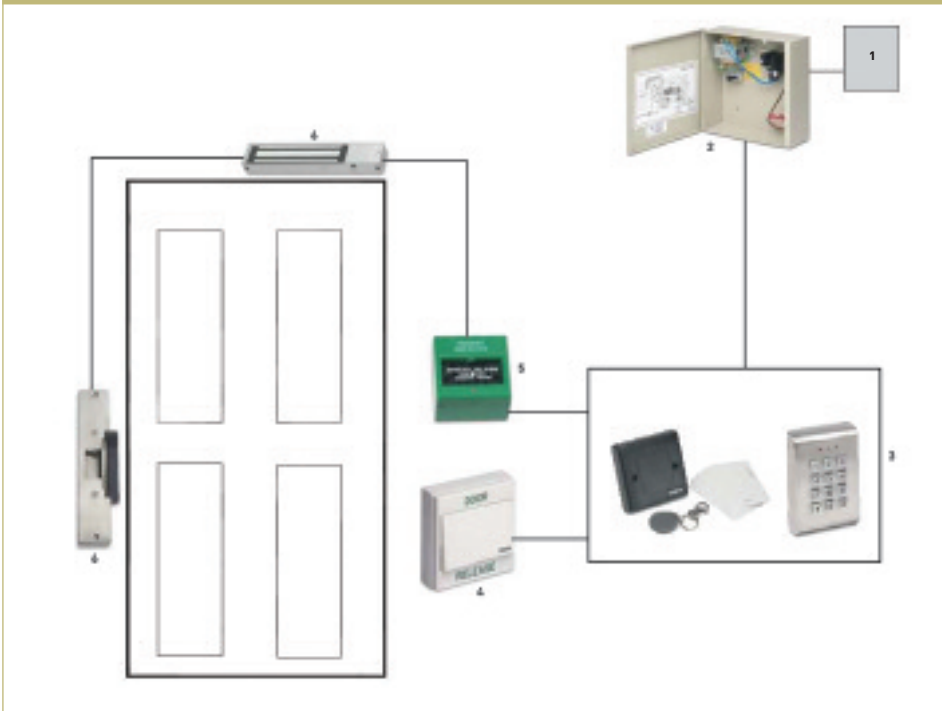
EB180	0178070	Stainless steel solenoid bolt, monitored 12-12V DC, narrow style
EB300	0152740	Surface mount solenoid bolt, monitored
EB300UBK	0152750	Surface mount solenoid bolt designed for glass doors

ELECTRIC RELEASES

ER310S	0058690	American ansi styled electric release, 12V, short face plate
ER310MS	0058710	American ansi styled electric release, monitored, 12V, short face plate
ER310L	0058680	American ansi styled electric release, 12V, long face plate
ER310ML	0058700	American ansi styled electric release, monitored, 12V, long face plate
M1SEC	0082500	European style mortice electric release, 12V AC/DC, fail secure
R1SEC	0082510	European style rim electric release, 12V AC/DC, fail secure
DBR	0082520	Electric release to work with deadbolt locks

Notes



TYPICAL ACCESS CONTROL EQUIPMENT LAYOUT

KEY

- 1 = Mains Switch Spur
- 2 = 12/24V DC Power Supply Unit
- 3 = Access Control Device
- 4 = Request to Exit Button
- 5 = Break Glass Unit
- 6 = Locking Device
(See table below)

	ACCESS CONTROL/MEDIUM SECURITY		HIGH SECURITY	
	Unmonitored	Monitored	Unmonitored	Monitored
SINGLE DOOR OUTWARD OPENING				
Timber	G10001 or ER310L	G10002 or ER310ML	G10010 or ER310L	G10020 or ER310ML
Aluminium	G10001 or ER310S	G10002 or ER310MS	G10010 or ER310S	G10020 or ER310MS
SINGLE DOOR INWARD OPENING				
Timber	G10001 + 1 No. GE300M Bracket Kit or ER310L	G10002 + 1 No. GE300M Bracket Kit or ER310ML	G10010 + 1 No. GE300S Bracket Kit or ER310L	G10020 + 1 No. GE300S Bracket Kit or ER310L
Aluminium	G10001 + 1 No. GE300M Bracket Kit or ER310S	G10002 + 1 No. GE300M Bracket Kit or ER310MS	G10010 + 1 No. GE300S Bracket Kit or ER310S	G10020 + 1 No. GE300S Bracket Kit or ER310MS
DOUBLE DOOR OUTWARD OPENING				
Timber	G10004 or ER310L	G10005 or ER310ML	G10060 or ER310L	G10040 or ER310ML
Aluminium	G10004 or ER310S	G10005 or ER310MS	G10060 or ER310S	G10040 or ER310MS
DOUBLE DOOR INWARD OPENING				
Timber	G10004 + 2 No. GE300M Bracket Kit or ER310L	G10005 + 2 No. GE300M Bracket Kit or ER310ML	G10060 + 2 No. GE300S Bracket Kit or ER310L	G10040 + 2 No. GE300S Bracket Kit or ER310L
Aluminium	G10004 + 2 No. GE300M Bracket Kit or ER310S	G10005 + 2 No. GE300M Bracket Kit or ER310MS	G10060 + 2 No. GE300S Bracket Kit or ER310S	G10040 + 2 No. GE300S Bracket Kit or ER310MS
SINGLE DOOR DOUBLE SWING	GS705-30 Shearlock or GS200 Micro Shearlock or EB300 Surface Solenoid Bolt Or EB180 Mortice Mount Solenoid Bolt			
SINGLE DOOR ALL GLASS	GS200 Micro Shearlock + GS200H Surface Housing + GS200GH Glass Kit or EB300UBK Glass Mount Solenoid Bolt			
EXTERNAL GATE/DOOR				
Timber	GL850 Midi External Magnet		EXM12/24 Std External Magnet	
Aluminium	For Inward Opening Add 1 No. EM850ZL		For Inward Opening Add 1 No. GL1200ZL	



Part No	Quick Ref	Product Description
---------	-----------	---------------------

EXIT BUTTONS

DRB001N	0058220	Door release button, engraved Door Release
DRB001	0058100	Door release button, wide button engraved Door Release
ARCHRXE	0058760	Architectural style door release button, engraved Door Release
DL09	0090230	Door release button, engraved Door Release stainless steel button
DRB002NF	0058790	Flush mount stainless steel door release button, narrow style engraved Press to Exit
DRB002NS	0058440	Surface mount stainless steel door release button, narrow style engraved Press to Exit
DRB002F	0058570	Flush mount stainless steel release button, engraved Press to Exit
DRB002S	0058390	Surface mount stainless steel door release button, engraved Press to Exit
DRB004F	0058660	Flush mount stainless steel door release button, green dome button, engraved Press to Exit
DRB004S	0089530	Stainless steel surface green domed exit button
DRB003F	0058650	Flush mount stainless steel door release button, 25mm diameter button, engraved "Press to Exit"
DRB002ND	0058820	Surface mount stainless steel door release button, narrow style engraved with Disabled Logo
CM-41/4	0222240	Surface 4 inch round switch with Disabled logo & PUSH TO OPEN
DRB006	0224340	Illuminated exit button

BREAKGLASS UNITS

BG1G	0058090	Surface mount green break glass unit, marked Emergency Door Release
KGG1SG	0058240	Surface mount green break glass unit, marked Emergency Door Release
KGG200SG	0058640	Surface mount green break glass unit, with double pole change over contact, marked Emergency Door Release
CP22	0154770	Green surface mount double pole resettable break glass unit with drop down flag

DOOR LOOPS

DL200	0082560	Armoured door loop surface mounted, plastic end caps
DL450	0058370	Armoured door loop surface mounted, aluminium end caps
DL400	0082530	Concealed fixing armoured door loop

DOOR RETAINING ELECTRO-MAGNETIC LOCKS

GD830F-12	0082580	Floor mounted door retaining magnet, with over-ride 12V DC
GD830F-24	0082590	Floor mounted door retaining magnet, with over-ride 24V DC
GD830S-12	0082600	Wall mounting door retaining magnet, with over-ride 12V DC
GD830S-24	0082610	Wall mounting door retaining magnet, with over-ride 24V DC

ACCESSORIES

MSPB	0077770	Surface mounted microswitched exit bar, with change over contacts
Euro-KS-Main	0244290	Surface Euro profile key switch on stainless steel plate (maintained)
Euro-KS-Mom	0244300	Surface Euro profile key switch on stainless steel plate (momentary)

STAND-ALONE KEYPAD

DG15	0185000	Stand-alone 12V AC/DC keypad, two relay outputs, 21 user codes
------	---------	--



STANDALONE KEYPAD



DOOR RETAINING MAGNETS



DOOR LOOPS



DMG901



DMG908



AEM943

- Dual voltage 12/24V AC/DC
- Current draw 500mA 12V, 250mA 24V
- 300kg/660lbs holding force slimline magnet
- 600kg/1200lbs holding force standard magnet
- 3 year warranty
- Lock monitoring sensor



DER134 SOLENOID BOLT

- 12 Volt 0.9A
- Power to lock

Part No	Quick Ref	Product Description	New Products
---------	-----------	---------------------	--------------

900 SERIES

MINI MAGLOCK

DMG901/H	0244100	300kg/600lbs surface slimline mini magnet
DMG902/H	0244110	300kg/600lbs surface slimline mini magnet, monitored
DMG926	0244160	300kg/660lbs double surface slimline magnet
DMG926/M	0244170	300kg/660lbs double surface slimline magnet, monitored
DMG902	0235660	300kg/600lbs mortice slimline mini magnet, monitored

STANDARD MAGLOCK

DMG911	0244130	600kg/1200lbs standard magnet
DMG904	0244120	600kg/1200lbs standard magnet, monitored
DMG912	0244140	600kg/1200lbs double standard magnet
DMG908	0244150	600kg/1200lbs double standard magnet, monitored

900 SERIES ACCESSORIES

DMH590Z1	0244190	Z & L bracket set for inward opening doors slimline
DMH590L1	0244180	Adjustable L bracket for outward opening doors slimline
DMH590A	0148660	Armature holder slimline
DMH594Z	0030680	Z & L bracket set for inward opening doors standard
DMH594L	0244210	Adjustable L bracket for outward opening doors standard
DMH594A	0244200	Armature holder standard

GATE MAGNETS

AEM/GATE	0244230	300kg/660lbs surface slimline mini gate magnet, monitored
AEM943	0224650	600kg/1200lbs surface slimline mini gate magnet
AEM944	0244240	600kg/1200lbs surface slimline mini gate magnet, monitored

ZAPKEY

AZKL001	0314130	Zapkey Access Control rim lock with 3 key fobs	←
---------	---------	--	---

SOLENOID BOLT

DER134	0335410	Solenoid bolt - 34mm face plate fail safe	←
--------	---------	---	---

DIGITAL LOCKS

SBL310.S	0335490	Standard push button digital lock easy code change with holdback	←
SBL320.S	0335500	Easy code push button digital lock easy code change with holdback	←
SBL370.S	0335510	Mini push button digital lock for cabinets and cupboards	←

Notes



SBL300.B DIGITAL LOCK

SBL370.S DIGITAL CABINET LOCK

The Securefast Digital Lock is a totally mechanical digital push button lock, which provides a low cost solution to keyless entry in light commercial and domestic applications.

Securefast Digital Locks are non-handed and may be used on inward or outward opening doors. Suitable for wood or metal doors 35-65mm thick.

The Securefast Digital Lock comes complete with a tubular latch.

800 SERIES MAGLOCKS

A range of magnets in housings from Deedlock.

This slimline magnet in an anodised aluminium housing is supplied complete with the magnet in the housing. The unit has dual voltage at 12 and 24V DC with the additional option of door status monitoring. The 800 range comes with a three year warranty.

ONE STRIKER, ALL INSTALLATIONS

The RCI 600 series Electric Striker offers one striker for all mortice applications. The striker is site adjustable for 12 or 24V AC or DC current and fail safe or fail secure installations. Stainless steel face plates are available in 5 sizes allowing the installer to carry one striker with optional face plates to ensure he has the correct striker when he arrives on site.



DAL6504



DAL6504LMKM

- Dual voltage 12/24V AC/DC
- Current draw 500mA 12V, 250mA 24V
- 27mm low profile - ideal for aluminium door frames
- Tested to 1,000,000 cycles
- UL and CE approved
- 3 year warranty
- Horizontal adjustment of lip
- Dual lock monitoring sensors

Part No	Quick Ref	Product Description	New Products
---------	-----------	---------------------	--------------

800 SERIES

DMG801/UM	0253020	Slimline mini magnet in 1m housing
DMG801/AT	0253030	Slimline mini magnet in 1m housing monitored
DMG802/UM	0253040	Double slimline mini magnet in 1.5m housing non-monitored
DMG802/AT	0253050	Double slimline mini magnet in 1.5m housing monitored
DMG803/UM	0253060	Double slimline mini magnet in 2m vertical housing non-monitored
DMG803/AT	0253070	Double slimline mini magnet in 2m vertical housing monitored
DMG804/UM	0253080	Double slimline mini magnet in 2m housing non-monitored
DMG804/AT	0253090	Double slimline mini magnet in 2m housing monitored

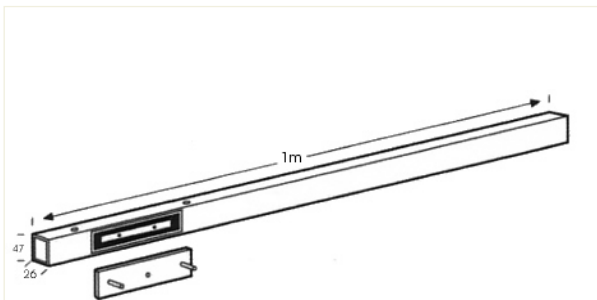
800 SERIES ACCESSORIES

DMH590A	0148660	Bevel edged armature plate housing
DMH590L	0244180	Adjustable transom mounting bracket

ELECTRIC RELEASES, RIM CASES AND REBATES

DAL6504	0252510	RCI electric strike 12/24V AC/DC fail safe/fale secure low profile
DAL6504LMKM	0252520	RCI electric strike 12/24V AC/DC fail safe/fale secure monitored
DB60432D	0252530	RCI electric strike face plate only 32mm x 124mm radius corners
DB61432D	0252540	RCI electric strike face plate only 32mm x 124mm sq corners
DB60532D	0252550	RCI electric strike face plate only 29mm x 150mm radius corners
DB60732D	0252560	RCI electric strike face plate only 32mm x 175mm radius corners
DB60832D	0252570	RCI electric strike face plate only 37mm x 202mm radius corners

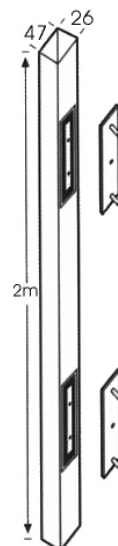
Notes



DMG801AT/UM

DMG803AT/UM

- Dual voltage 12/24V AC/DC
- Current draw 500mA 12V, 250mA 24V
- Super slim housing 47mm x 26mm
- 300kg/660lbs holding force
- UL and CE approved
- 3 year warranty
- Lock monitoring sensor




DMG901

DMG908

AEM943

- Dual voltage 12/24V AC/DC
- Current draw 500mA 12V, 250mA 24V
- 300kg/660lbs holding force slimline magnet
- 600kg/1200lbs holding force standard magnet
- 3 year warranty
- Lock monitoring sensor


DER134 SOLENOID BOLT

- 12 Volt 0.9A
- Power to lock

Part No	Quick Ref	Product Description	New Products
---------	-----------	---------------------	--------------

900 SERIES
MINI MAGLOCK

DMG901/H	0244100	300kg/600lbs surface slimline mini magnet	
DMG902/H	0244110	300kg/600lbs surface slimline mini magnet, monitored	
DMG926	0244160	300kg/660lbs double surface slimline magnet	
DMG926/M	0244170	300kg/660lbs double surface slimline magnet, monitored	
DMG902	0235660	300kg/600lbs mortice slimline mini magnet, monitored	

STANDARD MAGLOCK

DMG911	0244130	600kg/1200lbs standard magnet	
DMG904	0244120	600kg/1200lbs standard magnet, monitored	
DMG912	0244140	600kg/1200lbs double standard magnet	
DMG908	0244150	600kg/1200lbs double standard magnet, monitored	

900 SERIES ACCESSORIES

DMH590Z1	0244190	Z & L bracket set for inward opening doors slimline	
DMH590L1	0244180	Adjustable L bracket for outward opening doors slimline	
DMH590A	0148660	Armature holder slimline	
DMH594Z	0030680	Z & L bracket set for inward opening doors standard	
DMH594L	0244210	Adjustable L bracket for outward opening doors standard	
DMH594A	0244200	Armature holder standard	

GATE MAGNETS

AEM/GATE	0244230	300kg/660lbs surface slimline mini gate magnet, monitored	
AEM943	0224650	600kg/1200lbs surface slimline mini gate magnet	
AEM944	0244240	600kg/1200lbs surface slimline mini gate magnet, monitored	

ZAPKEY

AZKL001	0314130	Zapkey Access Control rim lock with 3 key fobs	←
---------	---------	--	---

SOLENOID BOLT

DER134	0335410	Solenoid bolt - 34mm face plate fail safe	←
--------	---------	---	---

DIGITAL LOCKS

SBL310.S	0335490	Standard push button digital lock easy code change with holdback	←
SBL320.S	0335500	Easy code push button digital lock easy code change with holdback	←
SBL370.S	0335510	Mini push button digital lock for cabinets and cupboards	←

Notes



SBL300.B DIGITAL LOCK
SBL370.S DIGITAL CABINET LOCK

The Securefast Digital Lock is a totally mechanical digital push button lock, which provides a low cost solution to keyless entry in light commercial and domestic applications.

Securefast Digital Locks are non-handed and may be used on inward or outward opening doors. Suitable for wood or metal doors 35-65mm thick.

The Securefast Digital Lock comes complete with a tubular latch.

800 SERIES MAGLOCKS

A range of magnets in housings from Deedlock.

This slimline magnet in an anodised aluminium housing is supplied complete with the magnet in the housing. The unit has dual voltage at 12 and 24V DC with the additional option of door status monitoring. The 800 range comes with a three year warranty.

ONE STRIKER, ALL INSTALLATIONS

The RCI 600 series Electric Striker offers one striker for all mortice applications. The striker is site adjustable for 12 or 24V AC or DC current and fail safe or fail secure installations. Stainless steel face plates are available in 5 sizes allowing the installer to carry one striker with optional face plates to ensure he has the correct striker when he arrives on site.



DAL6504



DAL6504LMKM

- Dual voltage 12/24V AC/DC
- Current draw 500mA 12V, 250mA 24V
- 27mm low profile - ideal for aluminium door frames
- Tested to 1,000,000 cycles
- UL and CE approved
- 3 year warranty
- Horizontal adjustment of lip
- Dual lock monitoring sensors

Part No	Quick Ref	Product Description	New Products
800 SERIES			
DMG801/UM	0253020	Slimline mini magnet in 1m housing	
DMG801/AT	0253030	Slimline mini magnet in 1m housing monitored	
DMG802/UM	0253040	Double slimline mini magnet in 1.5m housing non-monitored	
DMG802/AT	0253050	Double slimline mini magnet in 1.5m housing monitored	
DMG803/UM	0253060	Double slimline mini magnet in 2m vertical housing non-monitored	
DMG803/AT	0253070	Double slimline mini magnet in 2m vertical housing monitored	
DMG804/UM	0253080	Double slimline mini magnet in 2m housing non-monitored	
DMG804/AT	0253090	Double slimline mini magnet in 2m housing monitored	

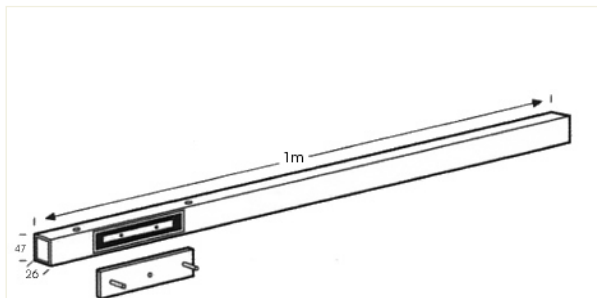
800 SERIES ACCESSORIES

DMH590A	0148660	Bevel edged armature plate housing
DMH590L	0244180	Adjustable transom mounting bracket

ELECTRIC RELEASES, RIM CASES AND REBATES

DAL6504	0252510	RCI electric strike 12/24V AC/DC fail safe/fale secure low profile
DAL6504LMKM	0252520	RCI electric strike 12/24V AC/DC fail safe/fale secure monitored
DB60432D	0252530	RCI electric strike face plate only 32mm x 124mm radius corners
DB61432D	0252540	RCI electric strike face plate only 32mm x 124mm sq corners
DB60532D	0252550	RCI electric strike face plate only 29mm x 150mm radius corners
DB60732D	0252560	RCI electric strike face plate only 32mm x 175mm radius corners
DB60832D	0252570	RCI electric strike face plate only 37mm x 202mm radius corners

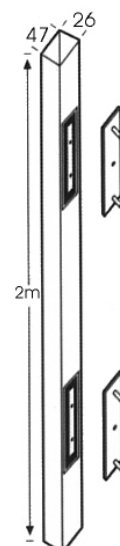
Notes

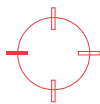


DMG801AT/UM

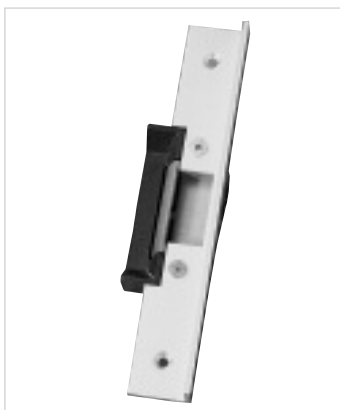
DMG803AT/UM

- Dual voltage 12/24V AC/DC
- Current draw 500mA 12V, 250mA 24V
- Super slim housing 47mm x 26mm
- 300kg/660lbs holding force
- UL and CE approved
- 3 year warranty
- Lock monitoring sensor





ES110



TS1113 REBATE

TS110SLUK UK
SASHLOCK FACEPLATE

ES150

Part No	Quick Ref	Product Description	New Products
---------	-----------	---------------------	--------------

ES110 ANSI ELECTRIC STRIKE

TS111AS	0055620	Stainless steel ANSI short faceplate 12V DC	
TS111AWR	0055630	Weather resistant (IP56) stainless steel ANSI short 12V DC	
TS111BS	0055660	Stainless steel ANSI long faceplate 12V DC	
TS111BWR	0055680	Weather resistant (IP56) stainless steel ANSI long 12V DC	
TS110SLEU RH or LH	0055580	Euro profile sashlock faceplate for ES110 handed RH or LH	
TS110SLUK RH or LH	0055570	UK sashlock faceplate for ES110 handed RH or LH	
EX1125	0054820	25mm extension lip fits pre-drilled TS111A/B	
EX1150	0054800	50mm extension lip fits pre-drilled TS111A/B	
ES11P	0054780	3 pin and spring kit for ES110	
TSS1113	0054690	13mm rebate plate for ES110 series - aluminium	
TSS1113L	0054880	13mm LH ES110 rebate plate for use with Chubb 3R35	
TSS1113R	0054900	13mm RH ES110 rebate plate for use with Chubb 3R35	
TSS1113B	0182520	13mm rebate plate for ES110 series - brass	

ES150 ELECTRIC RIM STRIKE

TS151	0054860	Security rim release 12V DC	
TS151WR	0055200	Weather resistant (IP56) security rim release 12V DC	

ES3100 ANSI ELECTRIC STRIKE

TS3101	0055240	ANSI long stainless steel monitored 12V DC	
TS311	0055250	ANSI long stainless steel unmonitored 12V DC	
EX3125	0055270	25mm extension lip to suit TS310/3100	
EX3150	0055300	50mm extension lip to suit TS310/3100	

ES5000 WRAP AROUND ELECTRIC STRIKE

TS3501	0088320	High security wraparound stainless steel monitored 12V DC	
--------	---------	---	--

RECTIFIER/SOUNDER MODULE

IEC RM1	0182530	Rectifier/sounder module 12/24V AC, 1Amp max. 54x20mm	
---------	---------	---	--



ES3500



ES3100

All Trimec strikes accept AC when used with IEC RM1 Rectifier/Sounder module. Rectifier module converts AC to DC with onboard switchable sounder 12/24V DC, 1Amp max. Sounder available on DC output - Dimensions: 54mm x 20mm. Add RM1 to code e.g. TS112AS-RM1.

All ES110 series available in lipless format: add -0 to end of code e.g. TS111AS-0.

All Trimec strikes available in 24V DC.

Strike Selection / Door Material - Single Action Door Aluminium & Metal

LEVEL	CODE	DESCRIPTION	NOTES
Security (unmonitored)	TS111AS	Stainless steel short faceplate	124Lx32W (incl ext lip 43.5W)
High Security (unmonitored)	TS311	Stainless steel long faceplate	202Lx36.5W (incl ext lip 43.5W)
High Security (monitored)	TS3101	Stainless steel long faceplate	Rebate Plate 200Lx32Wx16D
High Security (monitored)	TS201	Single fixing top & bottom	176L x28.5W
High Security (monitored)	TS2001	Single fixing top & bottom	TS201/2001 Rebate Plate 205Lx30Wx15D
High Security (monitored)	TS2001-0	Single fixing - lipless	176L x28.5W
High Security (monitored)	TS3501	Wraparound faceplate	



Part No	Quick Ref	Product Description
ES2000/2400 ELECTRIC STRIKE		
TS2001	0054630	Stainless steel monitored 12V DC
TS201	0054620	Stainless steel unmonitored 12V DC
TSS2013	0054740	13mm rebate plate for ES201/2001 series - aluminium
TS2001-0	0054930	TS2001 lipless version monitored 12V DC
TS201-0	0055590	TS201 lipless version unmonitored 12V DC
EX2025	0054770	25mm extension lip to suit TS201/2001
EX2050	0054760	50mm extension lip to suit TS201/2001
ES2P	0055430	3 pin kit for ES200/2000/240/2400
CK200-12	0055390	Replacement 12V DC solenoid
TS2401	0055330	High security timber stainless steel monitored 12V DC
TS241	0055340	High security timber stainless steel unmonitored 12V DC
TS2413	0055890	13mm rebate plate for ES240/2400



SURFACE MOUNT ELECTRIC LOCKS		
ES701	0170920	High security side load operational surface hooklock 12/24V DC non monitored
ES7001	0138060	High security side load operational surface hooklock 12/24V DC monitored
ES7000ZL	0212480	ES701/7001 L&Z bracket kit for inward opening doors



TB25 HIGH SECURITY DEADLOCKING SOLENOID BOLT		
TB25/PTLock	0055480	Deadlocking bolt, fail unlocked, 12/24V DC, dual monitored
TB25/PTOpen	0055500	Deadlocking bolt, fail locked, 12/24V DC, dual monitored
TB25/SMH Kit	0222710	Stainless steel surface mount kit for TB25
TB25KO/PTLock	0158000	Deadlocking bolt fail unlocked key over-ride model accepts Euro profile cylinder
TB25KO/PTOpen	0157980	Deadlocking bolt fail locked key over-ride model accepts Euro profile cylinder
TB25KO/SMH KIT	0182540	Stainless steel surface mount kit for TB25KO

TB38 HIGH SECURITY DEADLOCKING SOLENOID BOLT		
TB38/PTLock	0055460	Deadlocking bolt fail unlocked, 12/24V DC, dual monitored
TB38/PTOpen	0055470	Deadlocking bolt fail locked, 12/24V DC, dual monitored

Strike Selection / Door Material - Single Action Door

Timber

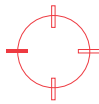
LEVEL	CODE	DESCRIPTION	NOTES
Security (unmonitored)	TS111BS	Stainless steel short faceplate	
High Security (unmonitored)	TS241	Twin fixing top & bottom	205Lx31W (incl ext lip 46.5W)
High Security (monitored)	TS2401	Twin fixing top & bottom	TS241/2401 Rebate Plate 225Lx31Wx15D
High Security (monitored)	TS201	Single fixing	176Lx28.5W
High Security (monitored)	TS3501	Wraparound faceplate	



TECHNICAL TIP

TB 25 & 38 SECURITY AND HIGH SECURITY DEADLOCKING SOLENOID BOLTS

Now available with square corner face/strike plates - timber applications.




EL900



EMS1200 SHEARLOCK

Part No	Quick Ref	Product Description	New Products
EB1001 ELECTRIC BOLT			
EB1001/34	0055780	Fail unlocked, 12V DC dual sensor electric bolt	
EB1001 SMK /34	0055840	Bright chromed surface mount kit for EB1001	
COMPACT SHEARLOCK			
EMS-1200M	0336490	Mortice Shearlock 12/24V DC DPS, monitored, timed multi relock	←
EMS-1200S	0336500	Surface mount Shearlock as above c/w surface mount housings x 2	←
EMS-1200SM	0336510	Mortice Shearlock as above c/w surface mount housing x 1	←
COMPACT SHEARLOCK ACCESSORIES			
GDC-1200	0336520	Glass door clamp (10/12mm) for use with EMS-1200S. 1 per surface mount housing - 2 required for use with EMS-1200S	←
FP-1200-2	0336530	2mm aluminium filler for use with SHH / GDC	←
FP-1200-6	0336540	6mm aluminium filler plate for use with SMH / GDC	←
EL900 SERIES ANSI STRIKES			
EL901	0314150	ANSI electric release c/w stainless steel short/long faceplate +25mm ext lip 12V DC	←
EL903	0336550	ANSI electric release c/w stainless steel short/long faceplate +25mm ext lip 24V DC	←
EL901M	0336560	ANSI electric release c/w stainless steel short/long faceplate +25mm ext lip 12V DC - monitored	←
EL903M	0336570	ANSI electric release c/w stainless steel short/long faceplate +25mm ext lip 24V DC - monitored	←
KEYPADS			
AS-626S-200	0157830	Surface mount narrow style external pressure sensitive keypad	
AS-626M-200	0157890	Mortice mount (flush) external pressure sensitive keypad	
ASP-2626S-121N-W	0252580	Surface mount narrow style external pressure sensitive keypad - IP68 keypad 26 bit Wiegand requires compatible controller	
ASP-2634S-121N-HID	0340870	3x4 IP68 keypad (26Bit) + HID Prox Wiegand requires compatible controller	
ASP-0834S-121N-HID	0336440	3x4 IP68 Keypad (8bit) + HID Prox Weigand requires compatible controller	←
IB1 2 DOOR TRUE INTERLOCK CONTROLLER			
IEC-IB1	0336450	IB1 - 12/24V DC 5 Amp - processor controlled fully expandable board	←
IEC-IB1PSU12V3AMP	0336460	IB1 mounted in metal 12V DC 3 Amp PSU	←
IEC-IB1PSU12V5AMP	0336470	IB1 mounted in metal 12V DC 5 Amp PSU	←
IEC-IB1Button/LED	0336480	Stainless steel interlock button & LED's (140mm x 40mm)	←
EXIT SWITCHES AND ACCESSORIES			
IEC06/1N	0128940	IP68 Cert. MK1 exit switch nat anodised non LED	
IEC06/1N/NS	0128930	IP68 Cert. NS exit switch nat anodised non LED	
IEC06/2N	0135810	IP68 Cert. MK1 exit switch nat anodised + Grn LED	
IEC06/2N/NS	0157950	IP68 Cert. NS exit switch nat anodised + Grn LED	
IEC0610-1	0157960	Surface mount housing MK1	
IEC0620-1	0157970	Surface mount housing NS	
AUTOMATIC DOOR OPERATORS - LOW ENERGY			
8160S02	0288800	Swift 02 POSC operator-max100kg /1.0m door width c/w articulated arm (8160SAA01) outward or slide arm (8160SSA02) inward opening	←
8160DSL	0288810	On door safety sensor - long (1no required per door leaf)	←
8160DSS	0288850	On door safety sensor - short (1no required per door leaf)	←
8160MS	0288840	Microwave sensor (for door opening)	←
8160CM-41-4	0336580	Push pad - Disabled logo - Push to Open inc back box (for door opening)	←
IEC0622-1	0336590	Maintained keyswitch - 3 position exit only / auto / closed	←
8160VHLR	0336600	Interface to integrate Access Control with operator	←
8160FG	0336610	Plastic anti finger trap guard (1no req per door leaf)	←
8160ACC0001	0288870	Signage - Automatic Door	←
8160ACC0004153	0288860	Signage - Keep Clear	←

NOTE: The above items produce a basic package. Supply only auto closers should be fitted in accordance with BS7036 and require the fitting of short & long on door safety and finger guard/barriers.

ACCESSORIES



MK814

EXIT BUTTON

- Remote Over-ride
- Exit push button



TREX/XL

- Passive IR Exit Detector



STI6400

STI6400/G

EXIT STOPPER DOOR ALARMS

Part No	Quick Ref	Product Description	New Products
ACCESS CONTROL POWER SUPPLIES AND BACK-UP BATTERIES			
DA395	0057120	12V DC, 2 x 1Amp fused O/P, PSU metal cased	
DA396	0057130	12V DC, 4 x 1Amp fused O/P, PSU metal cased	
DA446	0141470	12V DC, 1.5Amp or 24V DC, 750mA PSU with MF O/P, 325x255x90mm	
DA447	0141480	12V DC, 3Amp or 24V DC, 1.5Amp PSU with MF O/P, 325x255x90mm	
DA448	0141490	12V DC, 5Amp or 24V DC, 2.5Amp PSU with MF O/P, 325x255x90mm	
DA449	0141500	12V DC, 8Amp or 24V DC, 4Amp PSU with MF O/P, 325x255x90mm	
NP2.1-12	0055870	2.1AH 12V value regulated sealed lead acid battery	
NP2.8-12	0055810	2.8AH 12V value regulated sealed lead acid battery	
NP7-12	0055800	7AH 12V value regulated sealed lead acid battery	
DPS-1	0057080	1.5Amp boxed PSU, 12V DC	
SWITCHES/EXIT BUTTONS/INTERLOCKS			
MK814	0060260	Exit button plastic, no backbox	
DA420/H	0057140	Proximity RTE button 12V DC standard green hand logo	
DA421/H	0192900	Proximity RTE button 12V DC architrave green hand logo	
DKS502	0033220	Keyswitch momentary action stainless steel face plate	
DKS503	0033250	Keyswitch maintained action stainless steel face plate	
A-EB6	0033090	Heavy duty, high impact green domed exit button, on s/s plate - momentary c/w flush back box	
F200/W/EDR	0034500	White breakglass, resetable	
F200/G/EDR	0032580	Green breakglass, resetable	
TREX/XL	0037860	Passive IR exit detector	
J24/NST	0015390	Vandal resistant push-button: front panel fixing and fitted with high spec. switch	
BG1	0058090	Surface mount white break glass unit, marked Emergency Door Release	
DA550	0219250	2 door interlock, metal cased with tamper	
DA550T	0201390	2 door timed Interlock, metal cased with tamper	
DOOR ALARM AND BREAKGLASS PROTECTORS			
STI6530/G	0033280	Stopper flush - green	
STI6531/G	0033300	Stopper surface - green	
STI6532/G	0033320	Stopper flush with integral sounder - green	
STI6533/G	0033340	Stopper surface with integral sounder - green	
STI6400	0033370	Exit stopper door alarm - red	
STI6400/G	0033390	Exit stopper door alarm - green	
RELAYS AND TIMERS			
RY-PA	0019300	12V DC interface relay, 0.3A contacts (240V) 1A contacts (24V)	
TIM12/24	0046410	Timed interface module 12/24V DC	
DOOR LOOPS			
DL9	0007750	Surface mounted - 350mm armoured door loop, metal end caps	
EF10318/18	0023340	Surface mounted - 180mm armoured door loop, plastic end caps	
10318-300	0023360	Surface mounted - 300mm armoured door loop, metal end caps	
MORTICE RELEASES (STANDARD KEEP DEPTH 11mm) WITH ADJUSTABLE KEEP			
G-12AL01-A	0007730	12V AC fail locked, current draw 250mA	
G-12DL01-A	0007720	12V DC fail locked, current draw 200mA	
G-12DU01-A	0007710	12V DC fail unlocked, current draw 200mA	
MORTICE RELEASES (EXTRA DEEP KEEP 16mm) WITH ADJUSTABLE KEEP			
G-12DL01-X	0007690	12V DC fail locked, current draw 200mA	
G-12DU01-X	0007670	12V DC fail unlocked, current draw 200mA	

Notes



- Anti vandal construction from tough polycarbonate
- Simple 4 screw retro fit wire free installation
- Active deterrent against product misuse



DL9

Part No	Quick Ref	Product Description	New Products
---------	-----------	---------------------	--------------

RIM RELEASES FOR SURFACE MOUNT NIGHT LATCHES WITH ADJUSTABLE KEEP

G-12AL81-A	0007650	12V AC fail locked, current draw 250mA
G-12DL81-A	0007640	12V DC fail locked, current draw 200mA
G-12AL0181-A	0007620	12V AC release kit, ideal for AC door entry equipment, adjustable jaw, includes mortice & rim mounting options

MORTICE RELEASE, LONG FACE PLACE FOR SASH LOCKS WITH ADJUSTABLE KEEP

G12DL05-A	0007560	Right handed, 12V DC, fail locked, current draw 200mA
G12DL07-A	0007590	Left handed, 12V DC, fail locked, current draw 200mA
G-12DU24-A	0007520	Reversible, 12V DC, fail unlocked, current draw 200mA

ACCESS CONTROL CABLES

C4W	0018080	4 core cable - white - 100m
C6W	0018030	6 core cable - white - 100m
C8W	0145090	8 core cable - white - 100m
C4S	0018100	4 core, screened cable - white - 100m
C6S	0018120	6 core, screened cable - white - 100m
C8S	0018140	8 core, screened cable - white - 100m
9729/100	0012470	2 pair data cable - TDSi applications (100m)
8723/100	0012550	2 pair data cable - Cotag/Paxton applications (100m)
9540/100	0012600	10 conductor screened cable - Paxton/Storm Strikemaster (100m)
9536/100	0100150	6 conductor screened cable - Wiegand/Storm Codemaster (100m)
100-065	0102790	C5E 4 pair UTP internal grey outer jacket - 305m
100-066	0102800	C5E 4 pair UTP internal (LSOH) low smoke zero halogen violet outer jacket - 305m
100-090	0015250	C5E 4 pair UTP external - 305m

ACCESS CONTROL SYMBOLS

ACSYM1.1	0022440	Access Control symbols - for use with VISIO
ACSYMADV1.1	0022450	Advanced Access Control symbols - for use with VISIO

DOOR CLOSERS

C121SE-03	0339040	Door closer suitable for doors 950mm wide & 60kgs
2003E SES	0179520	Door closer complies with BSEN1154 European Standards
LC3100SES	0179530	ACCUFIT door closer, adjustable power size 2-4 pre assembled
LC3300SES	0179540	ACCUFIT door closer, adjustable power size 2-6 pre assembled matching arm
LC3300TF	0179560	Electro magnetic door holder/ closer, track mounted solenoid
996 3/01	0179550	Electro magnetic door closer

→ TECHNICAL TIP

CABLE GUIDE MATRIX

CABLE GUIDE MATRIX

Manufacturer	Readers to	Controller to Controllers (Data Bus)	General controller	Electric Release Applications Break Glass	Comments Request to Exit
PAC	6 Core Alarm	6 Core Alarm	N/A	9503/4	N/A
BEWATOR	9536	9502	N/A	9503/4	N/A
COTAG	COTAG Cable 812-1 or 812-3	8723	N/A	COTAG Cable 812-1 or 812-3	N/A
PAXTON	9540	8723/ CAT5	N/A	9503/4	N/A
TDSi (Microcard Reader)	9502	9729	N/A	9503/4	N/A
TDSi (Proximity Reader)	9730	9729	N/A	9503/4	N/A
KANTECH (IOPROX Readers)	CAT5	CAT5	N/A	9503/4	FOR
AIPHONE	N/A	N/A	C2 + C6 or C2PE	N/A	N/A
BPT	N/A	+ VCM130	VCM60	N/A	N/A
STORM	CODEMASTER 9536	N/A	STRIKEMASTER 9540	N/A	N/A

NOTES:

1. This matrix is intended as a guide only - if the application you require is not detailed, please contact your local Technical Support Team.
2. Unless otherwise stated, numbers given are Belden Cable numbers.
3. OEM reader applications may require different cables to those in the matrix. Please call us to discuss OEM applications.